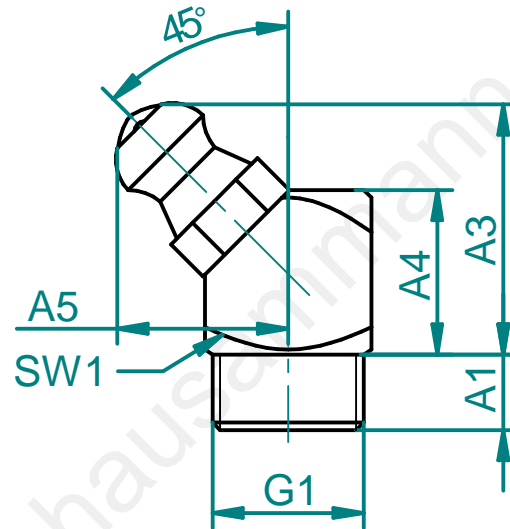


General tolerances ISO 2768-m						Index	Date	Visum	Modification	Index	Date	Visum	Modification
Basic-size	...6	> 6 ...30	> 30 ...120	>120 ...400	> 400 ...1000								
medium	±0.1	±0.2	±0.3	±0.5	±0.8								



Specifications points D,K,H	
D= doc.points	
K= critical	
H= main	

		Material:		Kopf gehärtet									
		Stahl verzinkt											
		Scale											
		2:1											
		<table border="1"> <tr> <td>plotted</td> <td>Date</td> <td>Visum</td> <td>Phone</td> </tr> <tr> <td>checked</td> <td>27.06.11</td> <td>E.Z</td> <td></td> </tr> </table>		plotted	Date	Visum	Phone	checked	27.06.11	E.Z			
plotted	Date	Visum	Phone										
checked	27.06.11	E.Z											
		05.550		<table border="1"> <tr> <td>Solid Edge</td> <td>Format</td> <td>Index</td> </tr> <tr> <td></td> <td>A4</td> <td>00</td> </tr> </table>		Solid Edge	Format	Index		A4	00		
Solid Edge	Format	Index											
	A4	00											
<small>Accord-draw.no.: Origin-draw.no.: Replacement for:</small>				HAUSAMMANN KOMponenten PRODUKTION SYSTEME									
		© 2010, Für dieses Dokument behalten wir uns alle Rechte vor.		© 2 010, Nous nous reservons tous les droits sur ce document									
				© 2 010, We reserve all rights in connection with this document									